



## 2020 Model

### TM-5502-PIU-20

for Ford POLICE INTERCEPTOR UTILITY 2020

Display Holder (DH)  
Universal Slot Pattern



## Features

### UNIBASE (Adjustable Base)

- Designed to Fit Ford Police Utility 2020
- Universal feet

### Display & Keyboard Independent Posts

- Single Arm for Display
- Double Arm for Keyboard
- Telescopic 1" x 10" Zinc plated solid steel post
- Knob clamping controls provide infinite adjustment

### Telescopic Mid Section with Side Mounting Plate

- Mounting side plate bolts directly to the console

### G.R.I.P. Tilt/Swivel Articulation

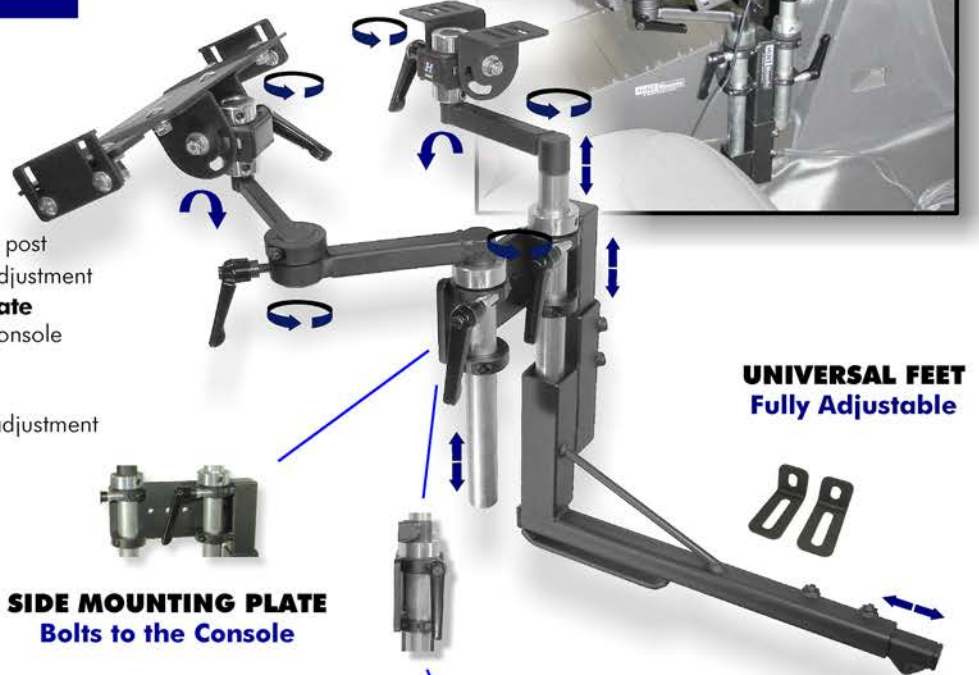
- Provides tilt and swivel control
- Single ratcheting knob for tilt and swivel adjustment
- 360 Degrees of swivel motion
- 90 Degrees of tilt adjustment

### Keyboard Tray

- Easy ON - Easy Off Keyboard Holder
- Low profile

### Display Holder (DH)

- NOW Included with Mount



## Also Available

### TM-5502-SMP

- Side Mounting Plate  
Bolts to side of Console



HiNT Quality



20190618